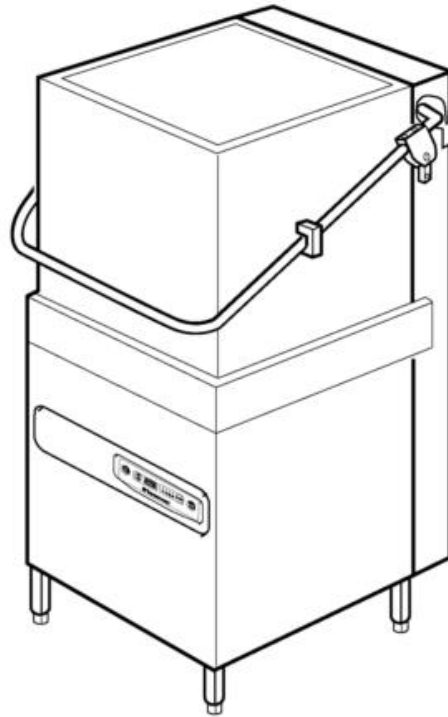


CATALOGO RICAMBI  
SPARE PARTS  
PIECES DETACHEES  
ERSATZTEILE  
LISTA DE RECAMBIOS



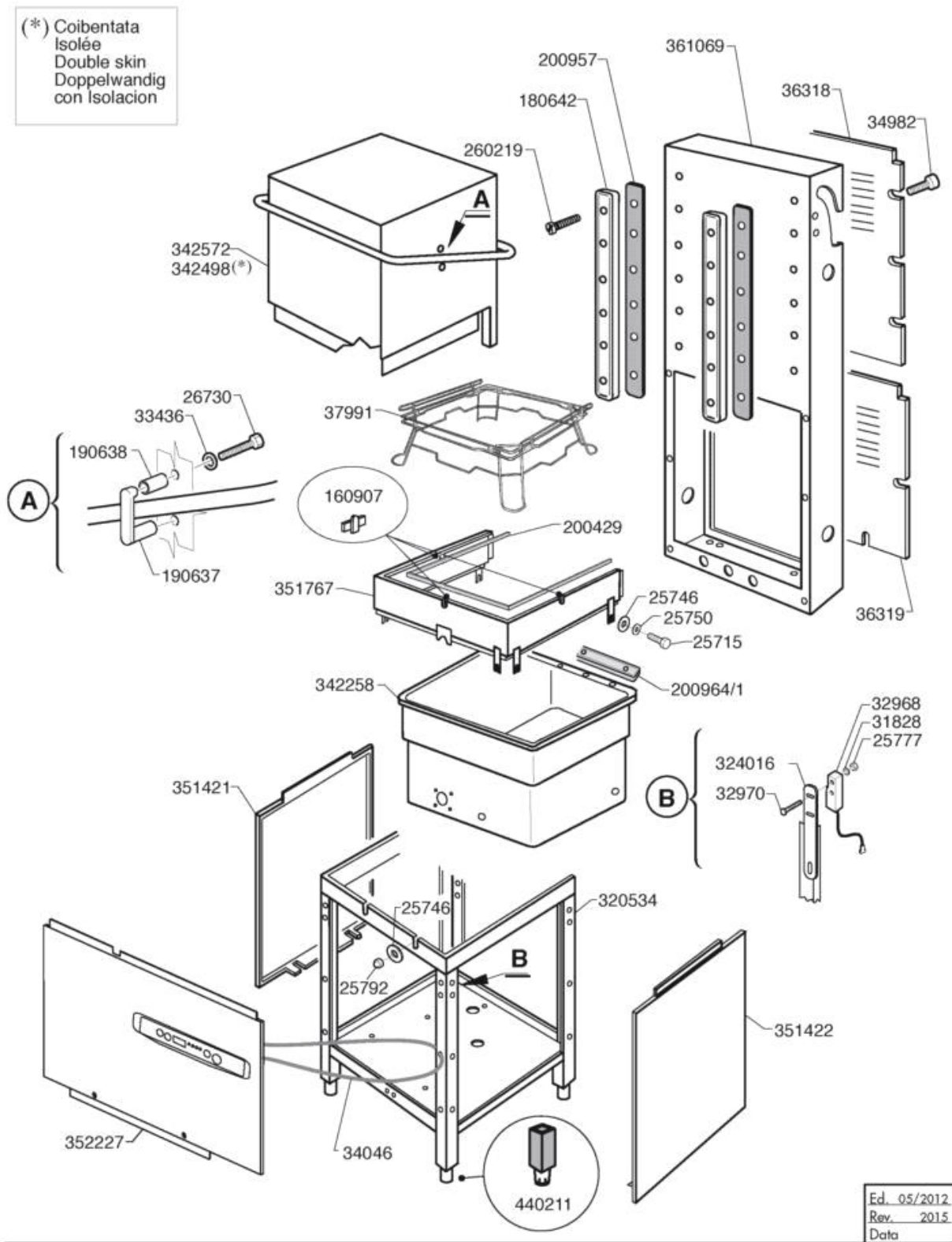
**Lavastoviglie a capote**  
**Pass through dishwashers**  
**Lave-vaisselle à capot**  
**Durchschub-Geschirrspül-**  
**maschinen**  
**Lavavajillas a capota**

**CAP 10**  
**CAP 12**  
**SO 100**  
**SO 120**

Realizzato da Hoorived srl - work station Macintosh - U.T. NIGRO

Ed. 11/2003

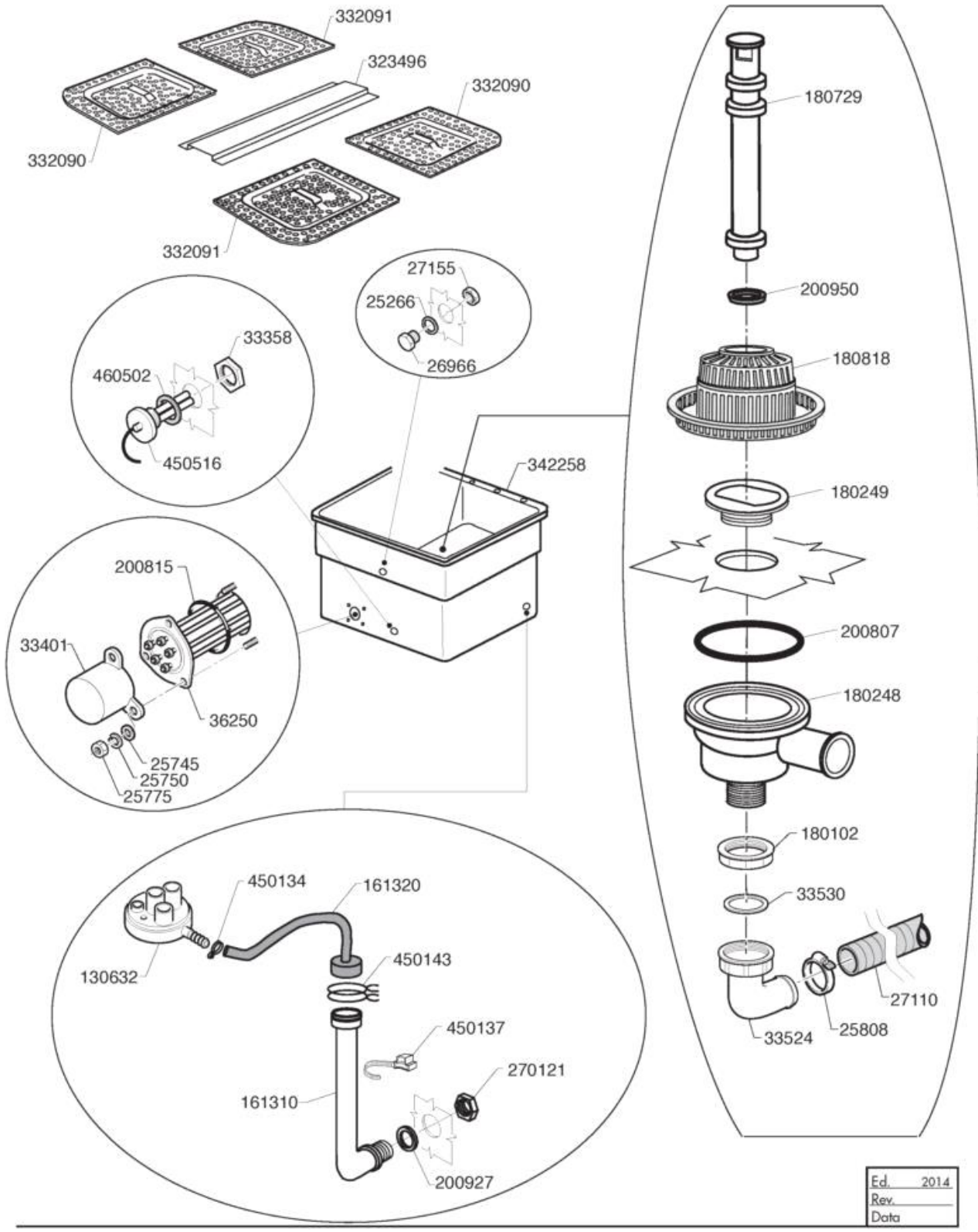
- 1 Hood
- 2 Handle
- 3 Tank
- 4 Tank
- 5 Wash/Rinse Assembly
- 6 Rinse Assembly
- 7 Rinse Assembly 05/2007->>
- 8 Wash Arm
- 9 Wash Pump
- 10 Control Box
- 11 Control Box - 04/12
- 12 Rinse Aid Injector
- 13 Detergent Pump Optional
- 14 Detergent Pump Optional 2009 cod. 38127
- 15 RCC



Code	Description	
160907	BLOCCHETTO POS.MENS. C95-C155	
180642	BINARIO PER CAPOT C2001	
190637	CAVALLOTTO ROTOLAMENTO MANIGL.	
190638	RULLO ROTOL.MANIGL.22X31,5	
200429	GOMMA SPUGNA 16x2 AUTOAD.	
200957	GUARNIZIONE PER GUIDE 180642	
200964/1	GUARN.600X14 SP.2 GOMMA EPDM	
25715	SCREW HEX.HD M 6 X 16 SS	
25746	SPACER, FLAT, DIAM.6/18	
25750	SPACER, SPLITTED, DIAM. 6	
25777	NUTS 3 MA	
25792	SELF-LOCKING NUT 6 MA LOWER SIDE	
260219	VITE TCP 6X35 INOX A2 UNI 6107	
26730	SCREW TE M 8 X 20	
31828	DENTED ROUND SPACER, EX ? 3	
320534	PARTE INFERIORE TELAIO Cap	
324016	PIASTRA SUPPORTO MICRO CAP	
32968	MAGNETIC SENSOR	
32970	BEVEL, CROSS-SLOT HD. SCREW TS 3 X	
33436	SPACER WASHER ALGOFLON 18X8,5X1	
34046	NYLON ROIPE, DRAWER LIMIT STOP	
342258	VASCA (PIANA) STAMPATA C 2001	
342498	CAPOT COIB. PER SERIE C 2001	
342572	CAPOT LAVASTOVIGLIE OCE	
34982	SCREW M5X12, HALF-ROUND HD. COMBI	
351421	PANNELLO LATERAL.SX C ANNO2001	
351422	PANNELLO LATERAL.DX C ANNO2001	
351767	FASCIA FRONTALE C ANNO 2001	
352227	PANN.ANT.COM.CAP10-12E (2012)	
361069	POSTERIORE TELAIO C ANNO 2001	
36318	UPPER REAR PANEL,CAP 10	
36319	LOWER REAR PANEL, CAP 10	
37991	PORTACES.IN TONDO CAP1012 2008	
440211	PIEDINO x TUBO QUADRO 40x40x1	



Code	Description	
190149	BLOCCHETTO PERNO MANIGL.C	
25717	SCREW PARTIAL FIL. 6X45 SS	
25746	SPACER, FLAT, DIAM.6/18	
25782	NUT 8 MA	
25792	SELF-LOCKING NUT 6 MA LOWER SIDE	
25793	SELF-LOCKING NUT 8 MA LOWER SIDE	
330239	TIRANTE x MOLLE M8 L=285 mm.	
331037	MANIGLIONE CAP-C/LC ANNO 2001	
33410	CHEESE-HD SCREW 6X35 SSA2 UNI 6107	
33438	BUSHING HANDLE C75-C140-C155	
33439	FLANGE X BUSHING HANDLE C70-C155	
33440	SOCKET HD.DOWELS A2 6x8 UNI 5929	
33519	BUSH, SPRING HOLDER "C"-"G"	
33522	SPRING FOR HANDLE "C"-"G"	
340493	PERNO ROTOLAM. C1000/1300 LC	
34982	SCREW M5X12, HALF-ROUND HD. COMBI	
361069	POSTERIORE TELAIO C ANNO 2001	

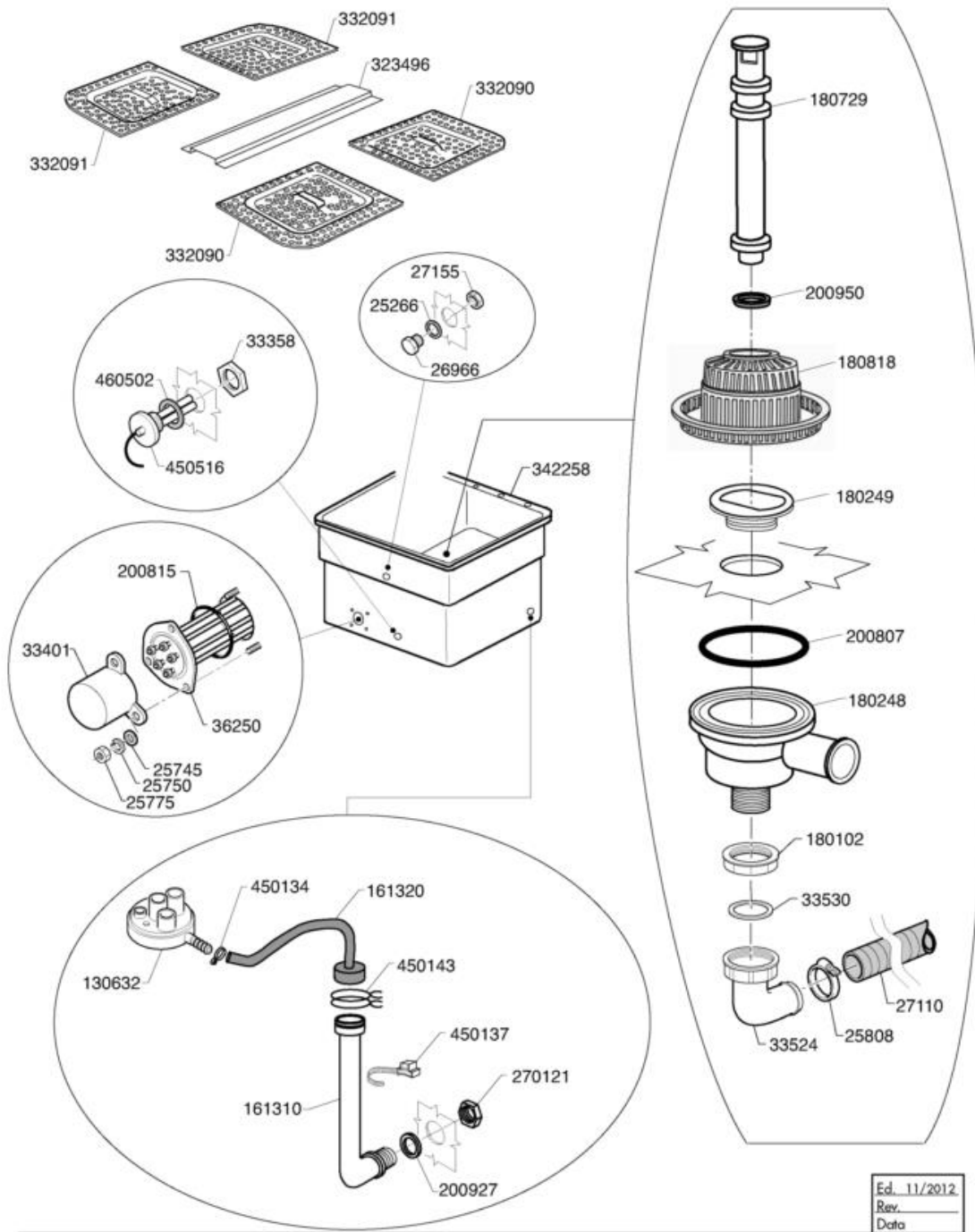


Ed.	2014
Rev.	
Data	



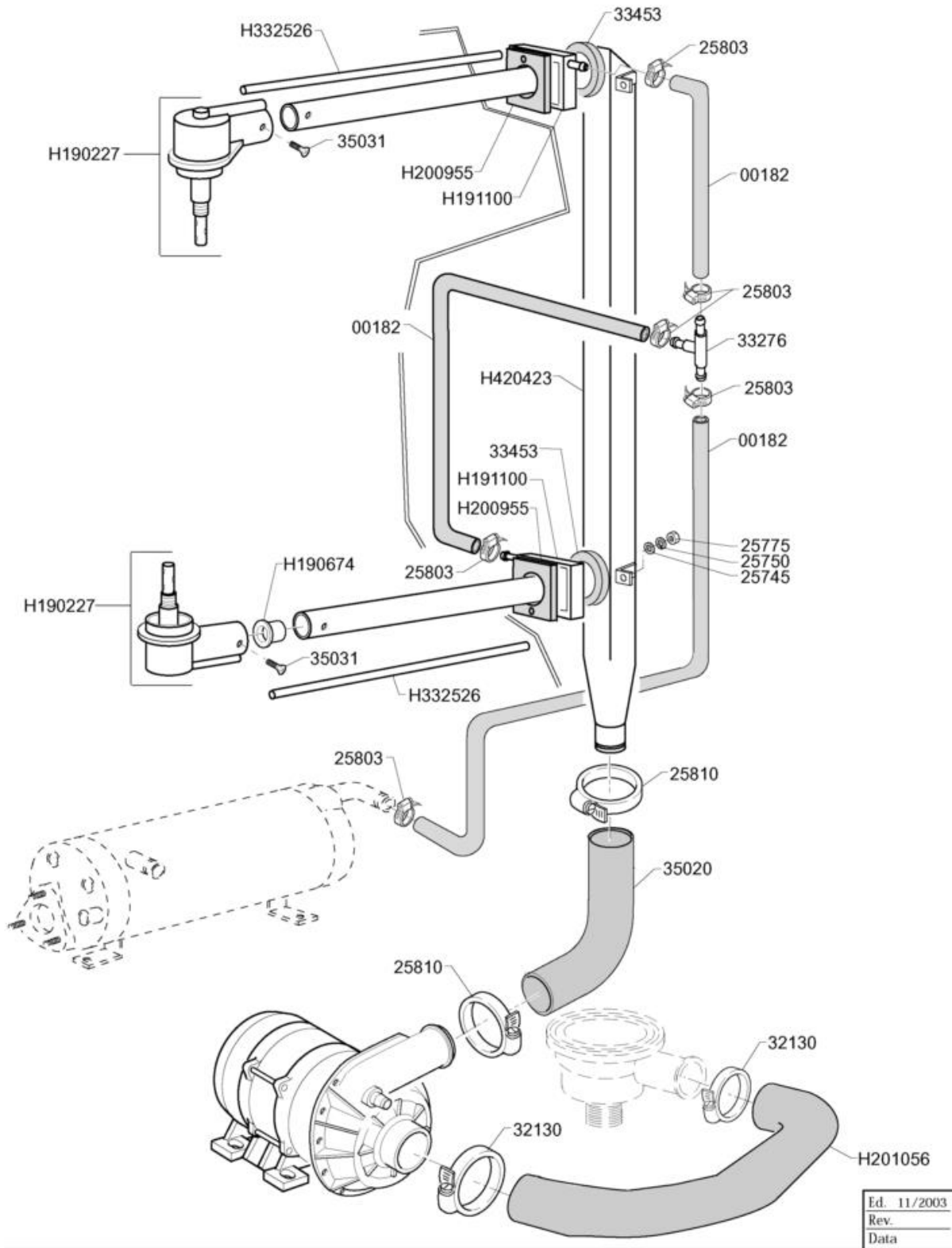
Code	Description	
130632	PRESSOSTATO A 1 LIV. 75/45	
161310	TRAPPOLA ARIA BR BC C 2001	
161320	TUBO x TRAPPOLA ARIA C2001	
180102	GHIERA 1"1/2 PILETTA F-C75	
180248	VASC.ASP.POMPA E SCAR. C 2001	
180249	GHIERA FISS. VASCHETTA C 2001	
180729	TROPPOPIENO C VASCA PIANA 2001	
180818	FILTRO ASPIRAZIONE FC/LC 2001	
200807	GUARNIZIONE OR 110X4 NBR7078	
200815	GUARNIZIONE OR 6x56x68	
200927	GUARNIZ.TRAPP.PRESS.C95-155	
200950	GUARNIZ. A LABBRO VITON DE175	
25266	FLAT GASKET 18 X 10 X 2	
25745	SPACER, FLAT, DIAM.6	
25750	SPACER, SPLITTED, DIAM. 6	
25775	NUT 6 MA	
25808	HOSE CLIP 27-51CLAM	
26966	HOLE CLOSING PLUG	
270121	CONTRODADO INOX 1/2"GAS TRAP.	
27110	DRAIN HOSE DIAM.33X1500	
27155	PLASTIC NUT10 M	
323496	TRAV.SUPP.FILTRI LC ANNO 2001	
332090	FILTRO VASCA DX C 2001	
332091	FILTRO VASCA SX C 2001	
33358	LOCK NUT 1/2" ES.30 SP.7"SS"	
33401	COVER, HEATING ELEMENT H 50 (HIGH)	
33524	ELBOW 1"1/2, DRAIN N-S-F-C	
33530	DRAIN GASKET 1"1/2 45X33X3	
342258	VASCA (PIANA) STAMPATA C 2001	
36250	RESISTOR FL.57 4000W. 220V/380V.	
450134	FASCETTA A FILO X TUB. 9,3-8,8	
450137	ATTACCO A COLLARE C/BASE 31900	
450143	FASCETTA A 2 FILI D.39.7x37.7	
450516	GUAINA TERM. 2 TUBI INOX H=109	
460502	GUARNIZ. 30X21X2 KLINGER 1/2"	





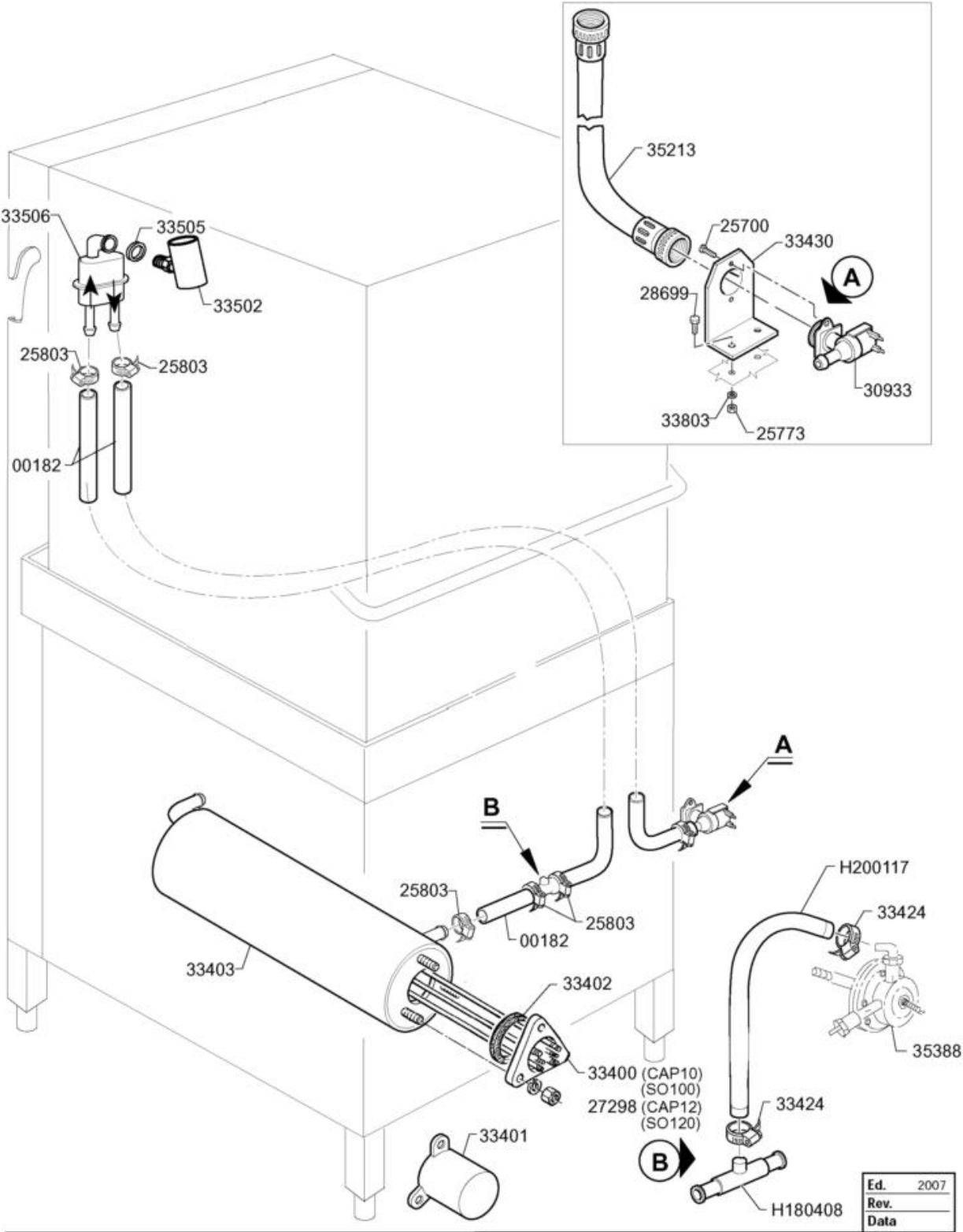
Code	Description	
130632	PRESSOSTATO A 1 LIV. 75/45	
161310	TRAPPOLA ARIA BR BC C 2001	
161320	TUBO x TRAPPOLA ARIA C2001	
180102	GHIERA 1"1/2 PILETTA F-C75	
180248	VASC.ASP.POMPA E SCAR. C 2001	
180249	GHIERA FISS. VASCHETTA C 2001	
180729	TROPPOPIENO C VASCA PIANA 2001	
180818	FILTRO ASPIRAZIONE FC/LC 2001	
200807	GUARNIZIONE OR 110X4 NBR7078	
200815	GUARNIZIONE OR 6x56x68	
200927	GUARNIZ.TRAPP.PRESS.C95-155	
200950	GUARNIZ. A LABBRO VITON DE175	
25266	FLAT GASKET 18 X 10 X 2	
25745	SPACER, FLAT, DIAM.6	
25750	SPACER, SPLITTED, DIAM. 6	
25775	NUT 6 MA	
25808	HOSE CLIP 27-51CLAM	
26966	HOLE CLOSING PLUG	
270121	CONTRODADO INOX 1/2"GAS TRAP.	
27110	DRAIN HOSE DIAM.33X1500	
27155	PLASTIC NUT10 M	
323496	TRAV.SUPP.FILTRI LC ANNO 2001	
332090	FILTRO VASCA DX C 2001	
332091	FILTRO VASCA SX C 2001	
33358	LOCK NUT 1/2" ES.30 SP.7"SS"	
33401	COVER, HEATING ELEMENT H 50 (HIGH)	
33524	ELBOW 1"1/2, DRAIN N-S-F-C	
33530	DRAIN GASKET 1"1/2 45X33X3	
342258	VASCA (PIANA) STAMPATA C 2001	
36250	RESISTOR FL.57 4000W. 220V/380V.	
450134	FASCETTA A FILO X TUB. 9,3-8,8	
450137	ATTACCO A COLLARE C/BASE 31900	
450143	FASCETTA A 2 FILI D.39.7x37.7	
450516	GUAINA TERM. 2 TUBI INOX H=109	
460502	GUARNIZ. 30X21X2 KLINGER 1/2"	

# Wash/Rinse Assembly



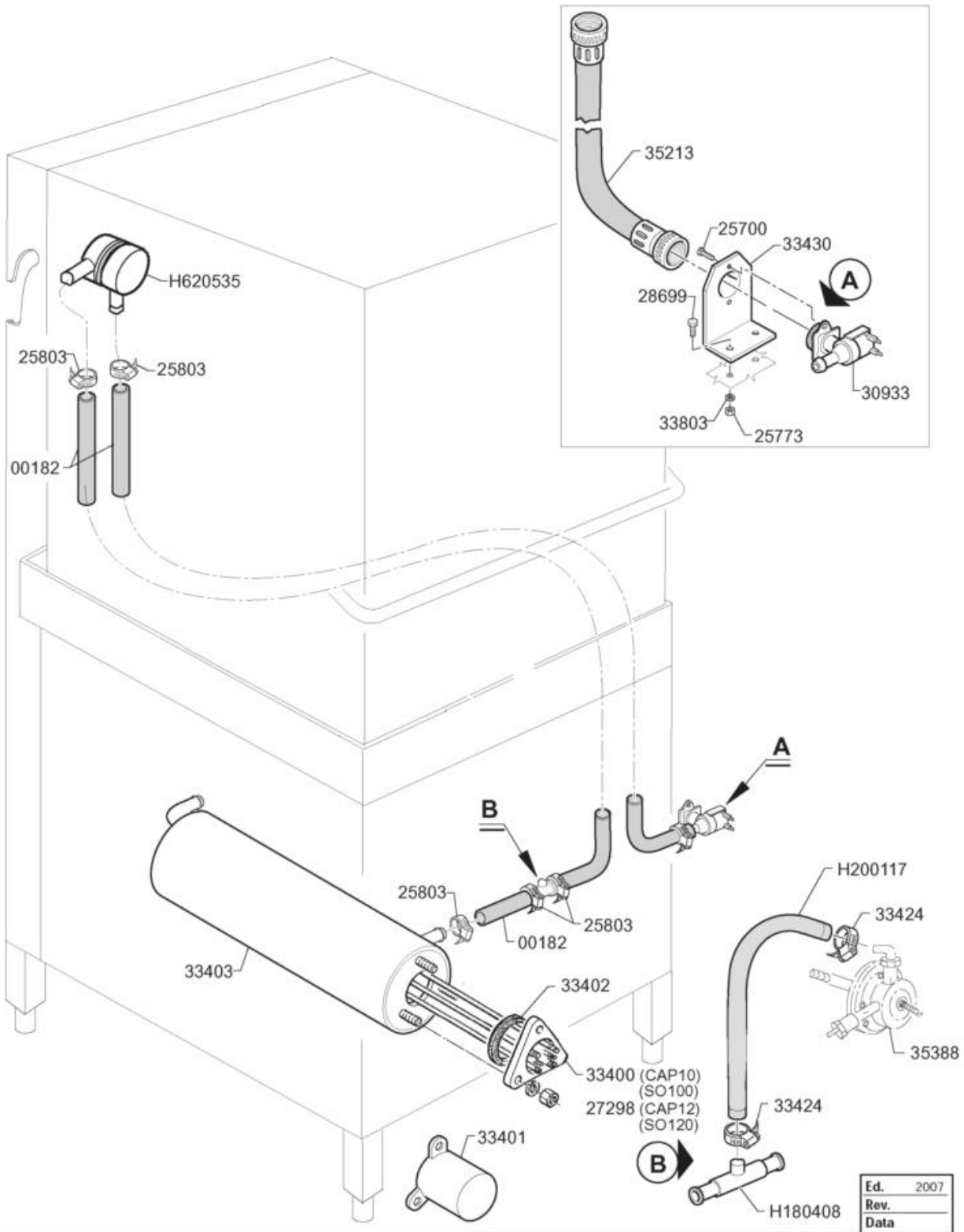
## Wash/Rinse Assembly

Code	Description	
00182	HOSE 11X19 CASER/15"BLUE"	
190227	PIPA SUPP.MULINELLO C/LC 2001	
190674	BUSS.DI RIDUZ.POLIPR.LC900/120	
191100	BLOCCH.COLL.RISCIACQ. C/LC2001	
200955	GUARNIZIONE BLOC. RISC. C 2001	
201056	TUBO ASP.POMPA LAV.CAP10/12/LC	
25745	SPACER, FLAT, DIAM.6	
25750	SPACER, SPLITTED, DIAM. 6	
25775	NUT 6 MA	
25803	HOSE CLIP 13-20 ABA	
25810	HOSE CLIP 55-70	
32130	HOSE CLIP 60-80	
332526	TUBO RISCIACQUO D. 8x0,5	
33276	T-SHAPED CONNECTOR ?11,5-PART180413	
33453	GASKET 60X54 REAR C140	
35020	DELIVERY SLEEVE, C 81/C 90	
35031	BEVEL, CROSS-SL.HD SCREW M 4 X 12	
420423	RAMPA LAVAGGIO C/LC ANNO2001	



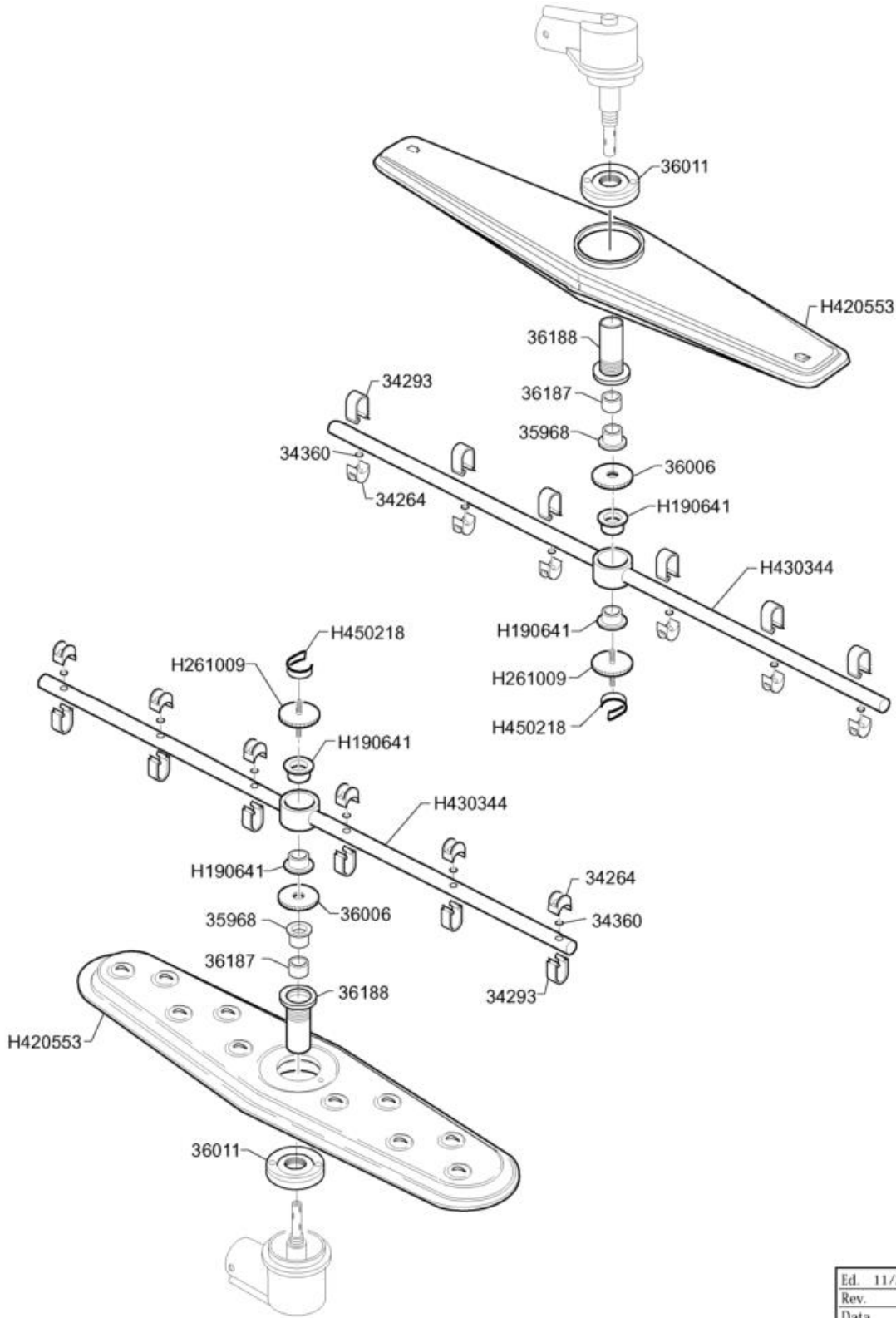
## Rinse Assembly

Code	Description	
00182	HOSE 11X19 CASER/15"BLUE"	
180408	PORTAG.T DOSAT.ATT.CENTR.RID.	
200117	TUBO GOMMA 8x15 CALORFORM/10	
25700	SCREW CHEESE-H. 4 X 8 KNURLED	
25773	NUTS 4 MA SS 18/8	
25803	HOSE CLIP 13-20 ABA	
27298	ARMORED RESIST. 10KW/230-400V-11038	
28699	CHEESE-HD SCREW TC 4 X 10	
30933	SOLENOID VALVE SING. 3/4"	
33400	HEAT.EL.FL.6000W 220/380V (110349)	
33401	COVER, HEATING ELEMENT H 50 (HIGH)	
33402	GASKET OR 6X56X68	
33403	BOILER"F45/F80/C85/140"	
33424	FE-ZN CLAMP 11-17 H=9	
33430	STANDARD SQ.BRACKET	
33502	T SPLASHPROOF FOR ANTIVAC.VLV	
33505	GASKET 30X21X2 KLINGER SIL	
33506	ANTI-VACUUM VALVE "B-F-C"	
33803	SPACE WASHER, GROWER DIAM.4	
35213	INLET HOSE, PLAIT. NYLON 2m ?6	
35388	RINSE AID DISP."YELLOW" C/STS	





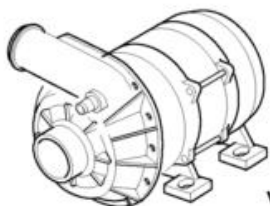
Code	Description	
00182	HOSE 11X19 CASER/15"BLUE"	
180408	PORTAG.T DOSAT.ATT.CENTR.RID.	
200117	TUBO GOMMA 8x15 CALORFORM/10	
25700	SCREW CHEESE-H. 4 X 8 KNURLED	
25773	NUTS 4 MA SS 18/8	
25803	HOSE CLIP 13-20 ABA	
27298	ARMORED RESIST. 10KW/230-400V-11038	
28699	CHEESE-HD SCREW TC 4 X 10	
30933	SOLENOID VALVE SING. 3/4"	
33400	HEAT.EL.FL.6000W 220/380V (110349)	
33401	COVER, HEATING ELEMENT H 50 (HIGH)	
33402	GASKET OR 6X56X68	
33403	BOILER"F45/F80/C85/140"	
33424	FE-ZN CLAMP 11-17 H=9	
33430	STANDARD SQ.BRACKET	
33803	SPACE WASHER, GROWER DIAM.4	
35213	INLET HOSE, PLAIT. NYLON 2m ?6	
35388	RINSE AID DISP."YELLOW" C/STS	
620535	VALVOLA ANTIVUOTO "B-F-C"	



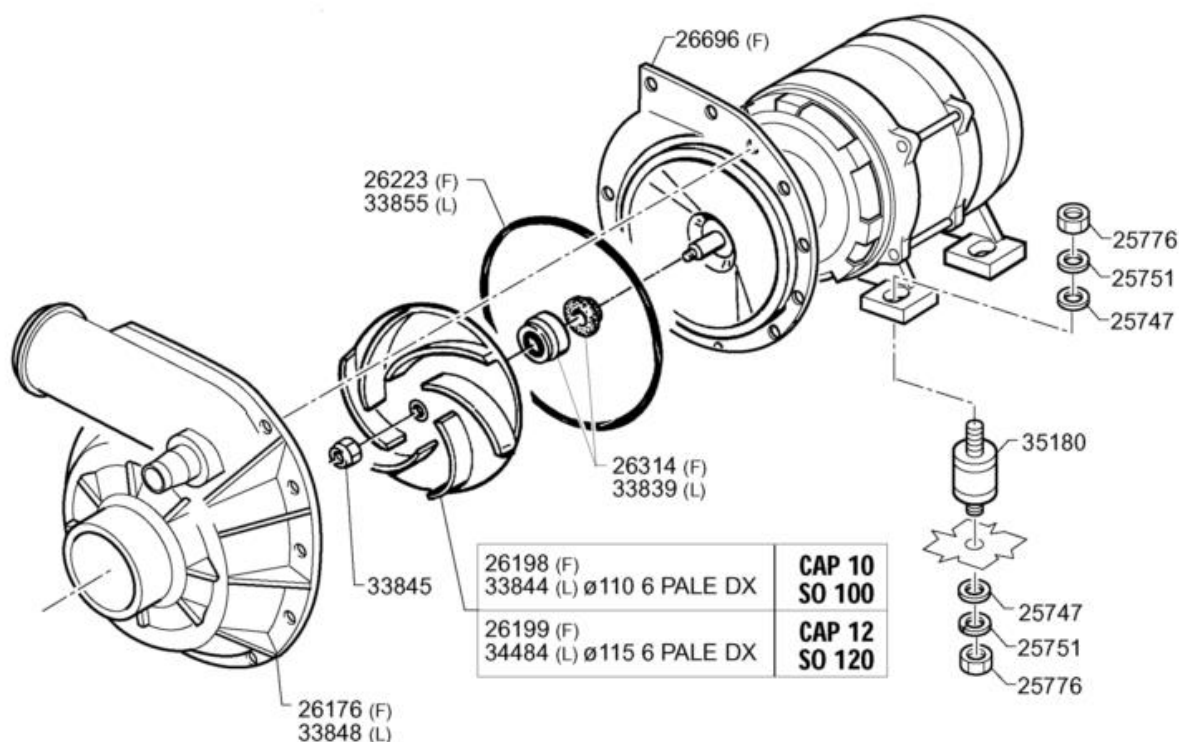
Code	Description
190641	BUSSOLA MULIN.RISC."C" V.S.
261009	VITE FISS. MULINELLO TUB.ACC.
34264	RINSE JET WITH SPRING
34293	JET LOCK SPRING
34360	GASKET OR 7 X 1 NBR 70
35968	BUSHING, TYPE H370 2023-21
36006	S.S.304 BUSHING, REVOLV.WASHARM
36011	THRDD.BUSH FOR REV.WASHARM BUSH
36187	BUSH TYPE H370 SM 2023-20
36188	STAIN.STEEL BUSH F. HOOD WASHARM
420553	MUL.LAVAG.INOX"Piatto"LC-CAP"
430344	MULIN.RIS.INOX UGEL.PLAS.CAP10
450218	MOLLA FISS.VITE MULIN.C95-155

**25326**

**CAP 10  
SO 100**

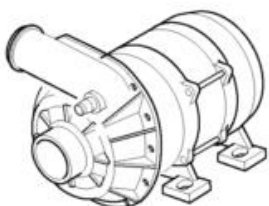


HP 1,5 - Kw 1,1  
V. 230 - 400/3 50 Hz



**36334**

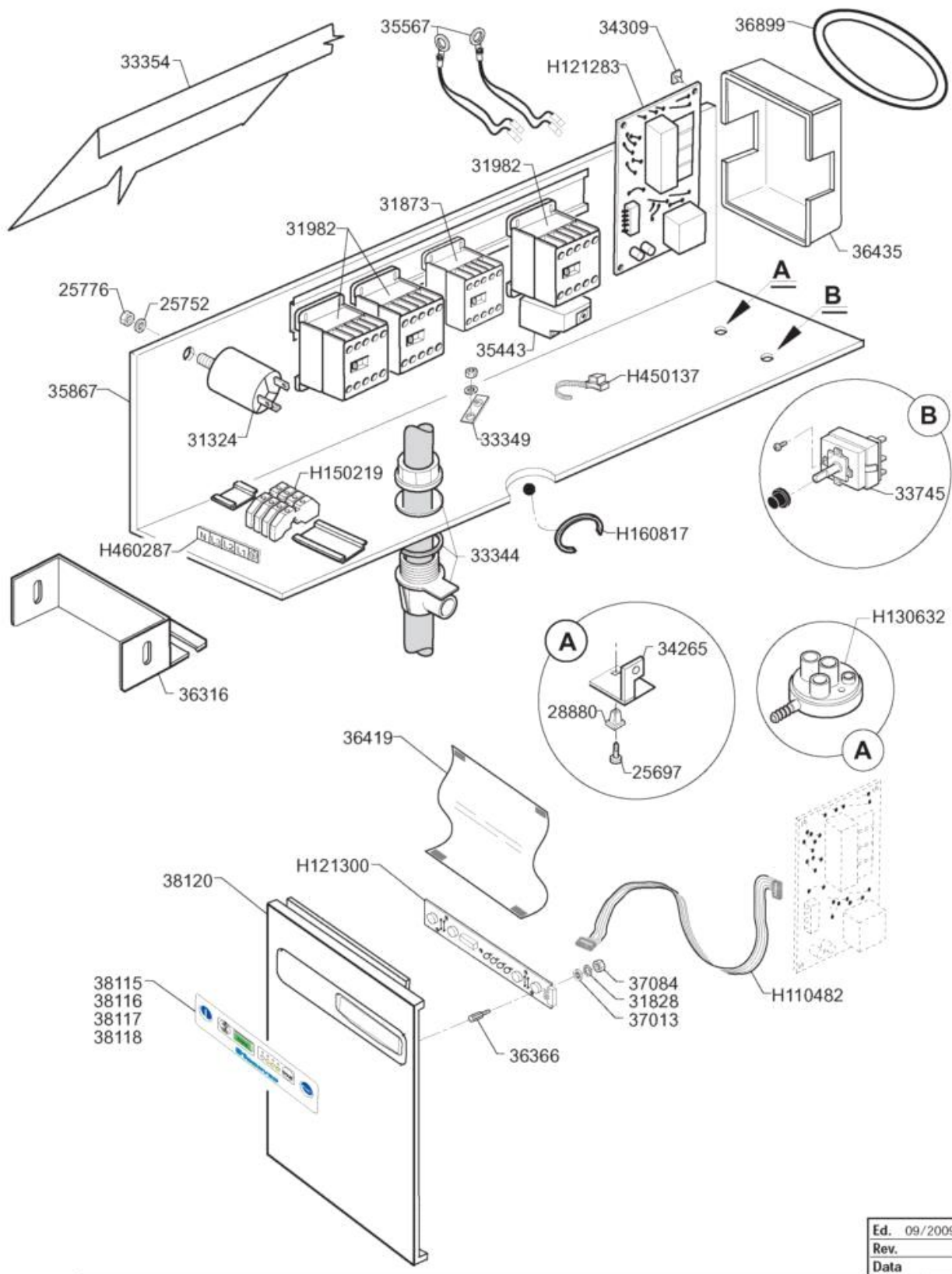
**CAP 12  
SO 120**



ZF 800 DX  
HP 2,2 - Kw 1,62  
V. 230 - 400/3 50 Hz

Ed.	11/2003
Rev.	
Data	

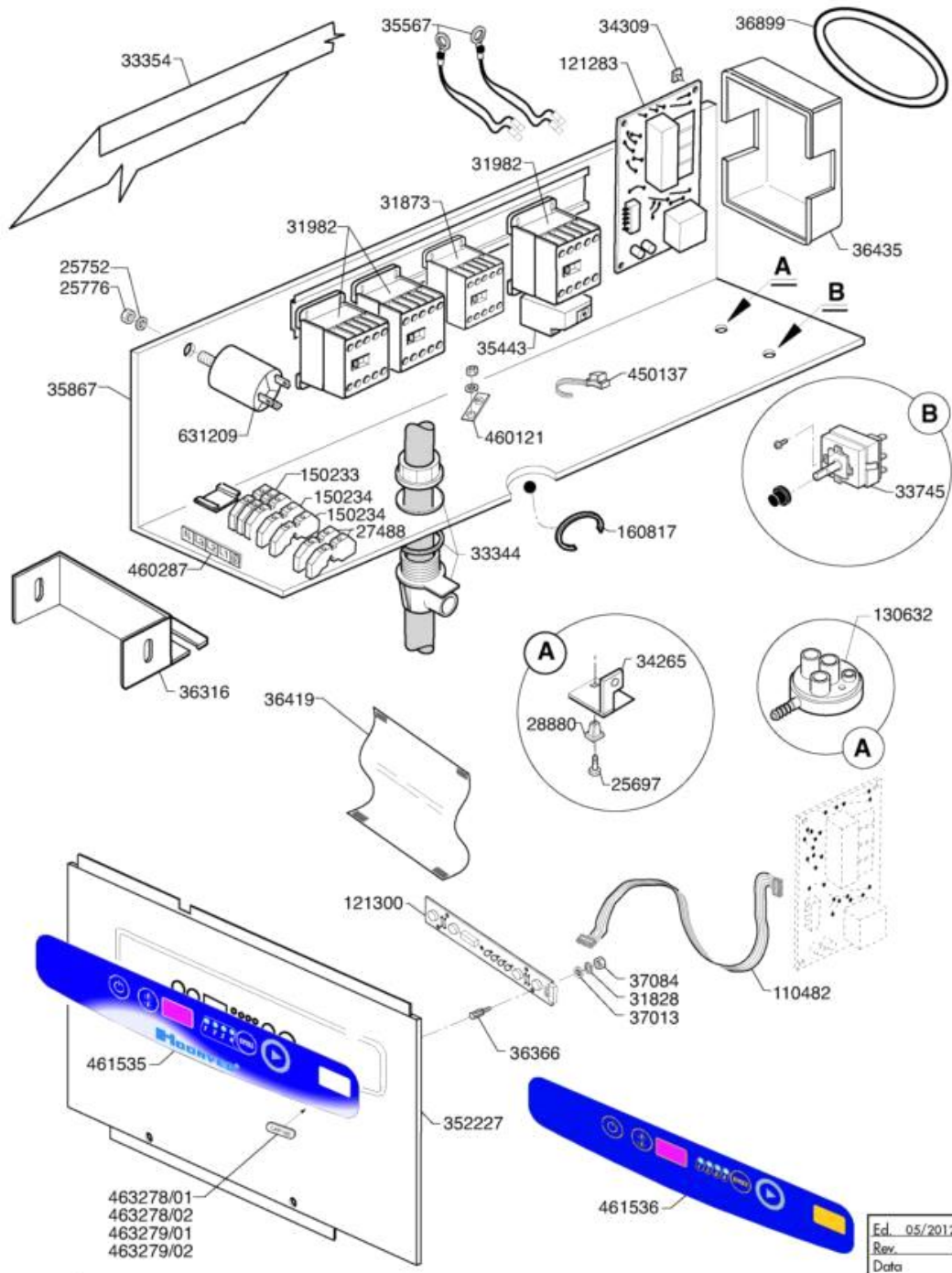
Code	Description
25326	WASH PUMP HP 1,5 230/400V350HZ
25747	SPACER, FLAT, DIAM. 8
25751	SPACER. SPLITTED, DIAM. 8
25776	NUTS 8 MA SS 18/8
26176	COVER, WASH PUMP HP 3 RIGHT
26198	IMPELLER WASH P.HP 1,5 OPENED
26199	IMPELLER WASH P.HP2 DX OPENED
26223	GASKET, COVER PUMP
26314	SHAFT SEAL, WASH PUMP HP 1,5/2
26696	FLANGE, ELECT.PUMP 3 HP, RIGHT
33839	MECH. SEAL PR/AR 13 BEFF
33844	IMPELLER DIAM.110, 6-BLADE, M8 RIGH
33845	NUT M8, RIGHT H=5 MM
33848	PUMP HOUS.ZF650 RIGHT A60/M50 HOSE
33855	GASKET OR. 158.34*3.53
34484	IMPELLER 120 6-BLADE, RIGHT ZF 800
35180	VIB.CTRL, 2 PINS 8 MA 30x30
36334	ELECTR.HP 2,2Right 230/400V3 50Hz



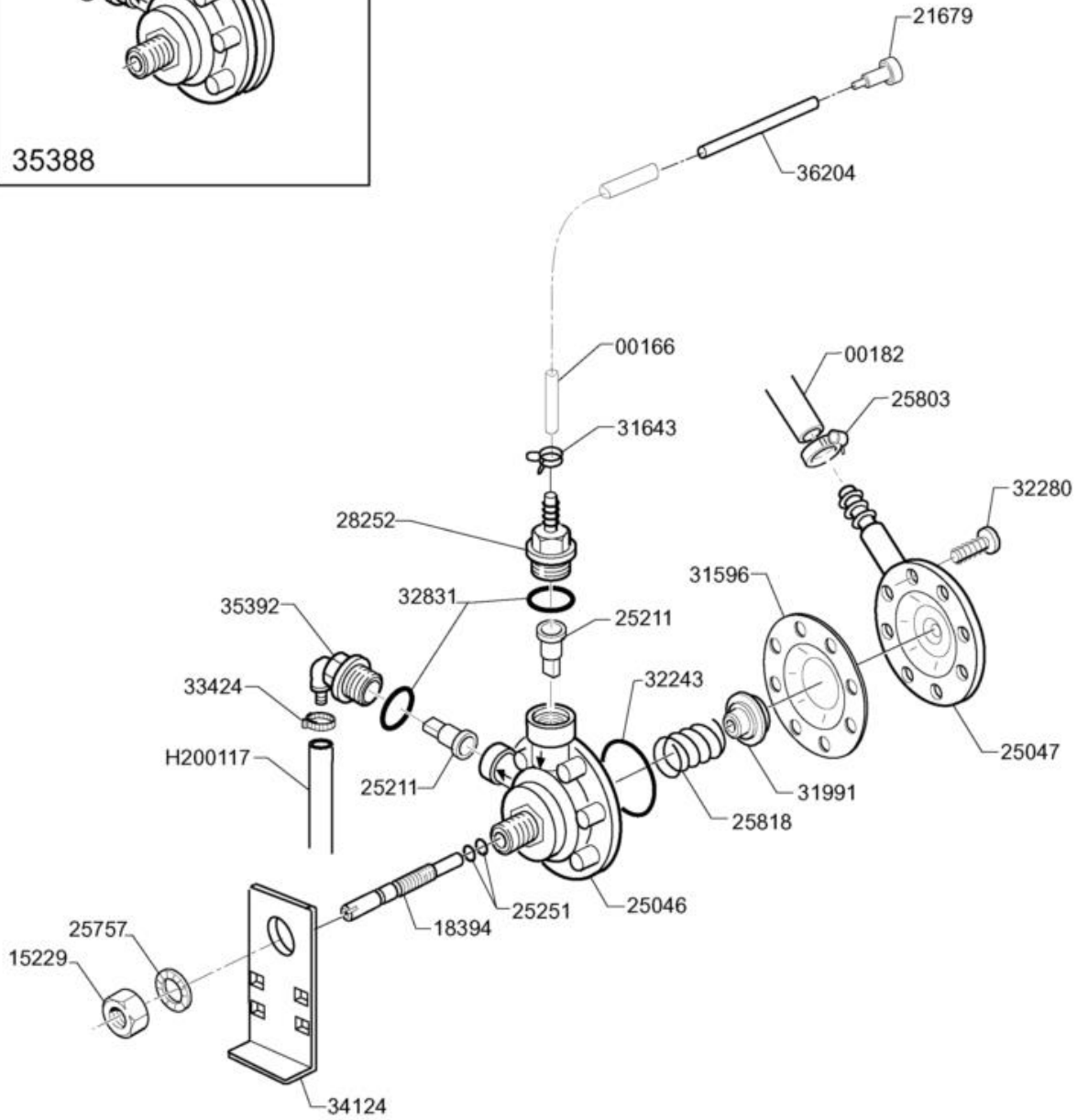
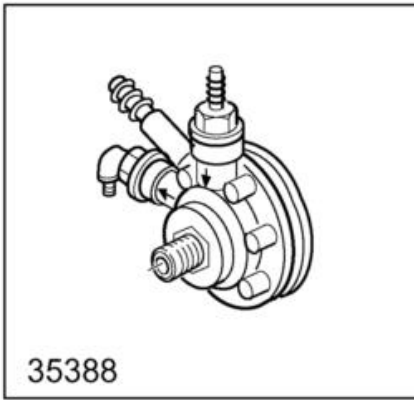
Ed.	09/2009
Rev.	
Data	

Code	Description
110482	CAVO PIATTO x SCHEDA 1200 mm.
121283	SCHEDA ELET.EDI2 883284
121300	PULSANTIERA COMANDI HAC ORIZZ.
130632	PRESSOSTATO A 1 LIV. 75/45
160817	GUARNIZIONE ASOLA IN POLIET.
25697	SELF-TAPPING SCREW CHEESE D747H.ROS
25752	TOOTHED SPACER DIAM.4 D.E.
25776	NUTS 8 MA SS 18/8
28880	NUT SCREW
31324	NOISE FILTER, TYPE 5001
31828	DENTED ROUND SPACER, EX ? 3
31873	REMOTE SWITCH 220-240V- B6-30-10
31982	CONTACTOR CN9 - 220V 50 HZ
33344	CABLE CLIP 5030 STEAB
33349	INDICAT.PLAKE, EARTHING
33354	ELECTRIC PLANT PROTECT.C140-70
33745	LIMITER 110? MANUAL RESET
34265	TANK PRESS.SWITCH BRACKET
34309	FEET PCBHOLDER
35443	THERMAL RELAY ABB TA 25 DU 4,0
35567	PROBE TEMP. NTC 3.3K YELLOW
35867	SUPPORT, ELECTRIC PLANT, C 98
36316	FIX. SQUARE FOR CAP ELECTRIC SYSTEM
36366	SPACER FOR KEYBOARD CUTOFF SNAP H10
36419	KEYBOARD PROTECTION
36435	PROTECTION CAP FOR ELECTR. CARD. CA
36899	RUBBER BAND d. 65/100x11mm
37013	RONDELLA PIANA M3 003030500001
37084	DADO NYLON M3
38115	TARGA COMANDI CAP 10 '09
38116	TARGA COMANDI CAP 12 '09
38117	TARGA COMANDI SO 100 '09
38118	TARGA COMANDI SO 120 '09
38120	PANNELLO ANT.COM.CAP 10-12 '09
450137	ATTACCO A COLLARE C/BASE 31900
460287	TARGHETTA X MORSETT.MONOFASE





Code	Description
110482	CAVO PIATTO x SCHEDA 1200 mm.
121283	SCHEDA ELET.EDI2 883284
121300	PULSANTIERA COMANDI HAC ORIZZ.
130632	PRESSOSTATO A 1 LIV. 75/45
150233	MORS.TRIP.16MMQ 8WA1304
150234	MORS.UNIP.16MMQ 8WA1204
160817	GUARNIZIONE ASOLA IN POLIET.
25697	SELF-TAPPING SCREW CHEESE D747H.ROS
25752	TOOTHED SPACER DIAM.4 D.E.
25776	NUTS 8 MA SS 18/8
27488	MORSETTO 2,5 MMQ CBC.2
28880	NUT SCREW
31828	DENTED ROUND SPACER, EX ? 3
31873	REMOTE SWITCH 220-240V- B6-30-10
31982	CONTACTOR CN9 - 220V 50 HZ
33344	CABLE CLIP 5030 STEAB
33354	ELECTRIC PLANT PROTECT.C140-70
33745	LIMITER 110? MANUAL RESET
34265	TANK PRESS.SWITCH BRACKET
34309	FEET PCBHOLDER
352227	PANN.ANT.COM.CAP10-12E (2012)
35443	THERMAL RELAY ABB TA 25 DU 4,0
35567	PROBE TEMP. NTC 3.3K YELLOW
35867	SUPPORT, ELECTRIC PLANT, C 98
36316	FIX. SQUARE FOR CAP ELECTRIC SYSTEM
36366	SPACER FOR KEYBOARD CUTOFF SNAP H10
36419	KEYBOARD PROTECTION
36435	PROTECTION CAP FOR ELECTR. CARD. CA
36899	RUBBER BAND d. 65/100x11mm
37013	RONDELLA PIANA M3 003030500001
37084	DADO NYLON M3
450137	ATTACCO A COLLARE C/BASE 31900
460121	TARGH.DI MESSA A TERRA=33349
460287	TARGHETTA X MORSETT.MONOFASE
461535	TARGA COM. CAP10-12E (2012)
461536	TARGA COM. SO100-120E (2012)
463278/01	TARGHETTA RES.ADES.CAP10E '12
463278/02	TARGHETTA RES.ADES.CAP12E '12
463279/01	TARGHETTA RES.ADES.SO100E '12
463279/02	TARGHETTA RES.ADES.SO120E '12
631209	FILTRO ANTIDISTURBO TIPO 5001

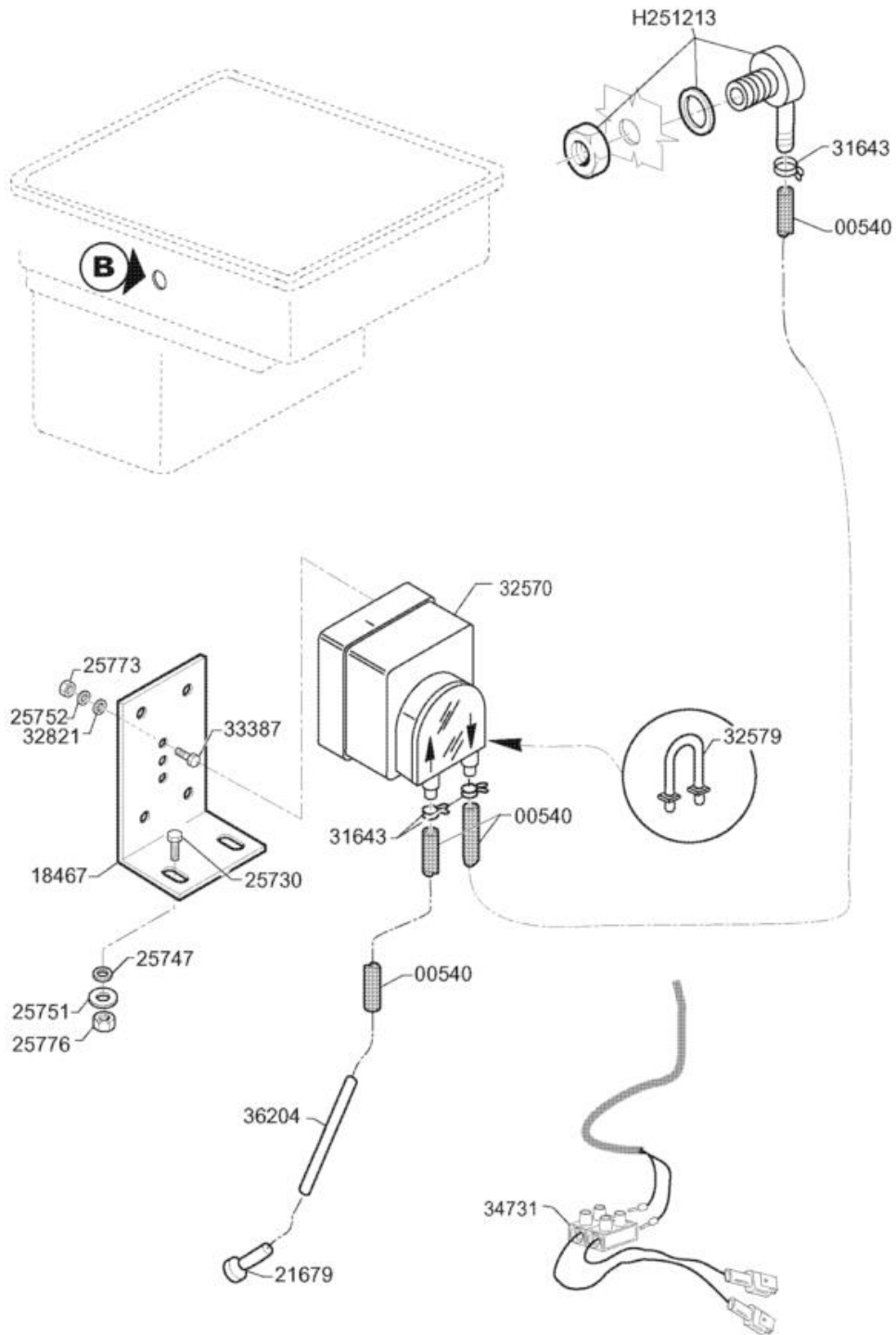


Ed.	11/2003
Rev.	
Data	

## Rinse Aid Injector

Code	Description
00166	ROLL TUBE TRANSP. 4X7
00182	HOSE 11X19 CASER/15"BLUE"
15229	LOCK NUT AID DISPENSER
18394	SCREW CONTROL DISPENSER
200117	TUBO GOMMA 8x15 CALORFORM/10
21679	FILTER DET.-RINSE AID PREASS.
25046	UPPER DISPENSER ASSEMBLY
25047	LOWER DISPENSER ASSEMBLY
25211	NON RETURN VALVE RINSE AID DISP.
25251	GASKET OR 2012
25757	TOOTHED SPACER DIAM. 12 D.E.D787
25803	HOSE CLIP 13-20 ABA
25818	CYLINDER SPRING (WIRE)
28252	FITTING SUCTION DISPENSER
31596	DIAPHRAGM, DISPENSER
31643	HOSE CLIP 7,3-7,8
31991	SPRING GUIDE FOR DISPENSER
32243	GASKET OR 3156
32280	OVAL HD. CROSS-SL. SCREW 4 X 13
32831	GASKET OR 2062
33424	FE-ZN CLAMP 11-17 H=9
34124	BRACKET, HOONVED DISPENSER
35388	RINSE AID DISP."YELLOW" C/STS
35392	90° VALVE FITTING, RINSE AID H/C
36204	SINGLE COUNTERWEIGHT, DETERGENT HOS

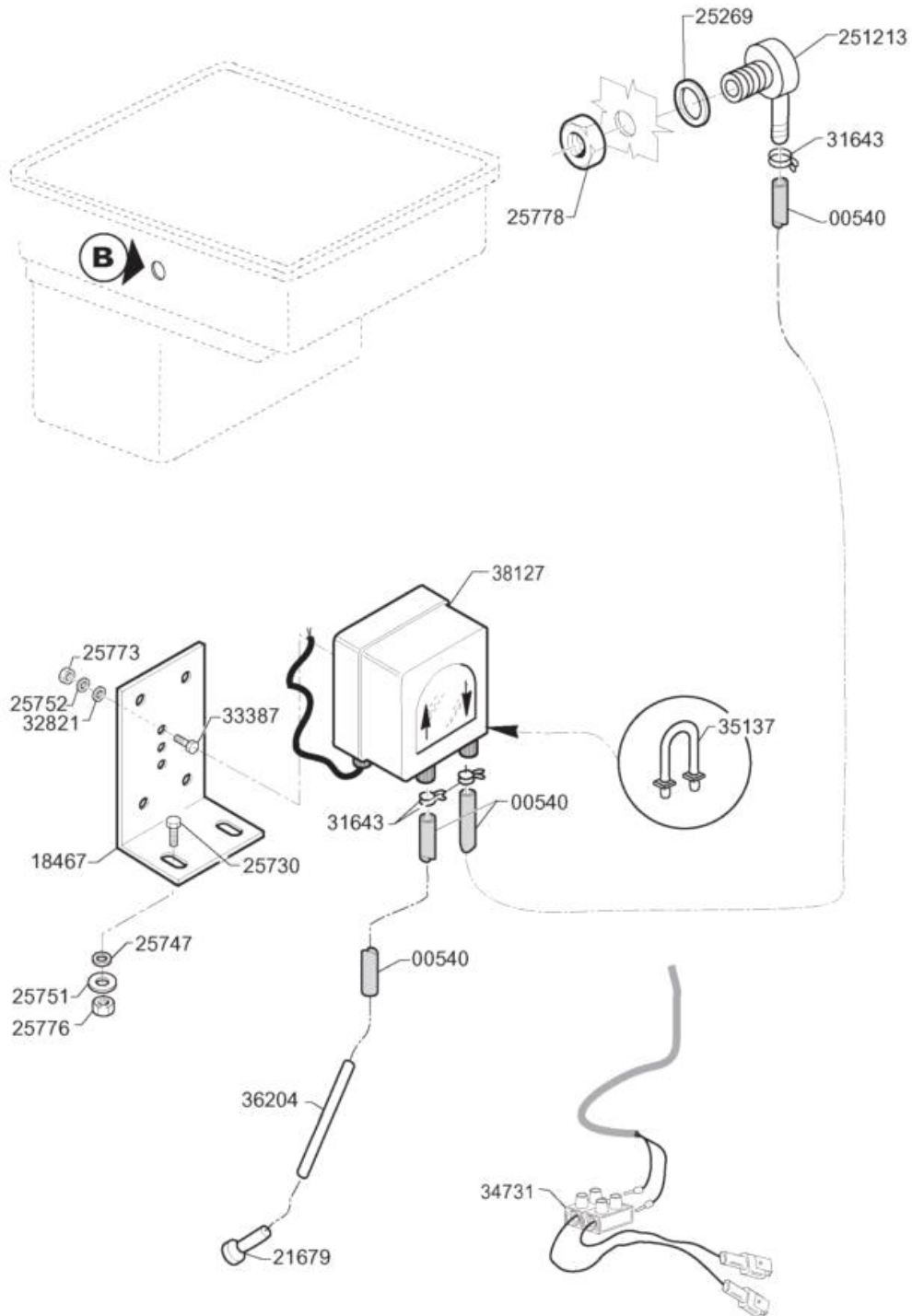
# Detergent Pump Optional



Ed.	11/2006
Rev.	
Data	

## Detergent Pump Optional

Code	Description
00540	RED TUBE 8X4 ROLL
18467	HOLDING SUPP. PUMP DISPENS.
21679	FILTER DET.-RINSE AID PREASS.
251213	PORTAG.A GOMITO INOX POMPA DET
25730	SCREW HEX.HD M 8 X 25
25747	SPACER, FLAT, DIAM. 8
25751	SPACER. SPLITTED, DIAM. 8
25752	TOOTHED SPACER DIAM.4 D.E.
25773	NUTS 4 MA SS 18/8
25776	NUTS 8 MA SS 18/8
31643	HOSE CLIP 7,3-7,8
32570	DETERG. DISPENS WALL MOUNT. LP 120
32579	INNER TUBE FOR DETERGENT P. 32570
32821	FLAT WASHER DIAM 5,5/15
33387	HEX.HD SCREW 4X16 SS A2 UNI 5739
34731	ELECT.CONN. TERMINAL FOR AUTOCL.
36204	SINGLE COUNTERWEIGHT, DETERGENT HOS



Ed. 12/2009
Rev. 07/2010
Data



## Detergent Pump Optional 2009 cod. 38127

Code	Description	
00540	RED TUBE 8X4 ROLL	
18467	HOLDING SUPP. PUMP DISPENS.	
21679	FILTER DET.-RINSE AID PREASS.	
251213	PORTAG.A GOMITO INOX POMPA DET	
25269	FLAT GASKET	
25730	SCREW HEX.HD M 8 X 25	
25747	SPACER, FLAT, DIAM. 8	
25751	SPACER. SPLITTED, DIAM. 8	
25752	TOOTHED SPACER DIAM.4 D.E.	
25773	NUTS 4 MA SS 18/8	
25776	NUTS 8 MA SS 18/8	
25778	NUTS 12 M 18/8 ss	
31643	HOSE CLIP 7,3-7,8	
32821	FLAT WASHER DIAM 5,5/15	
33387	HEX.HD SCREW 4X16 SS A2 UNI 5739	
34731	ELECT.CONN. TERMINAL FOR AUTO.	
35137	PUMP HOSE DET.SEKO PG3	
36204	SINGLE COUNTERWEIGHT, DETERGENT HOS	
38127	POMPA PERISTALTICA SEKO PR 7	



---

Code	Description
100555	VENTIL.TANG.TGA60/1 360-30
113357	CABLAGG.PER KIT CRC
130930	CONT.ABB TEMP.DIS.1NO/1NC 180"
130933	CONTATTO SUPP.LAT.1NO/1NC ABB\$
26556	BREATHER SLEEVE, K 80 ZEROWATT
340385	PARATIA VENT."POST" CRC C2001
400826	BATTERIA CRC mod. SBT8 50/75
621390/H	RC RETROFIT VERSIONE HOONVED